



# OK-12 CP

## 3-IN-ONE Continuous Dye Sublimation Production

Pre-cut Textile Piece    Cut Sheet Production    Roll-to-Roll Transfer

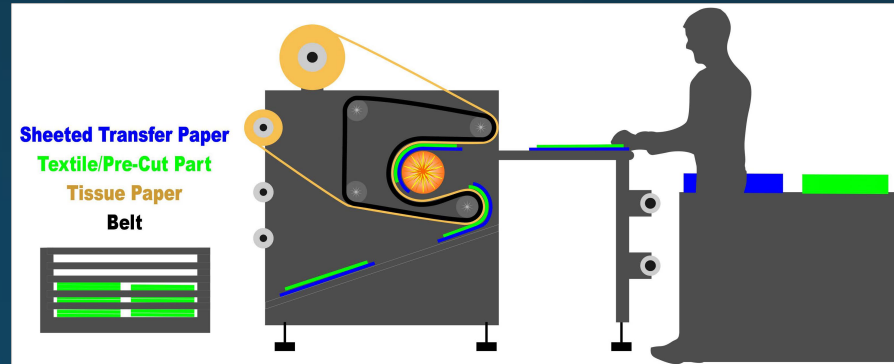


- 66", 88", 104" and 128" belt widths allows for heat transfer on an array of fabrics
- 12" dia. drum makes the OK-12 CP the fastest drum machine of class in this market
- Oil filled, steel encased drum design with a state of the art temperature controller provides temperature accuracy and colors consistency
- Automatic belt tracking ensuring no lateral movement or ghosting on your fabrics
- Touch screen control system and integrated belt tracking system
- 3 unwinds and 3 rewinds with pneumatic tensioning to adjust the level of tension
- Heavy duty, all steel unit ed frame
- 100% Nomex felt belt

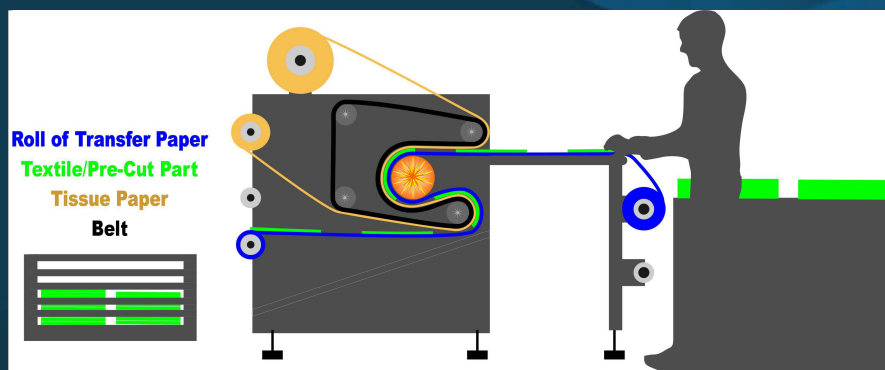


## Sheet Transfer Paper - Pre-Cut Textile Piece

- Preprinted dye sublimation transfer sheet of paper is fed into the rotary press, face up
- Textile Pieces are placed on the transfer sheet face down.
- Tissue Paper is protecting the belt ensuring no dye-sublimation ink is sublimated onto the belt
- One rewind is used tissue paper



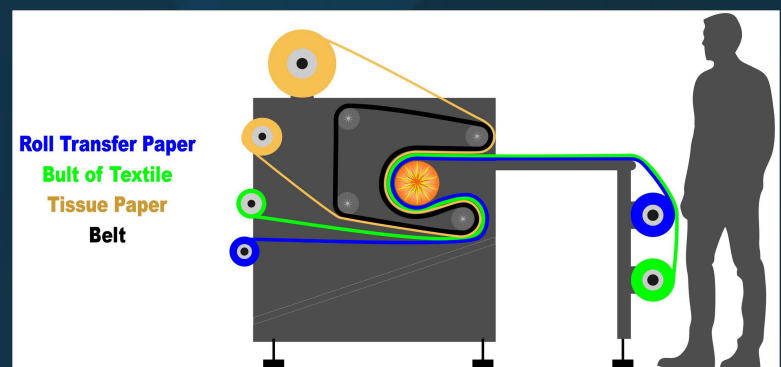
## Roll Transfer Paper - Pre-Cut Textile Piece



- Roll of preprinted dye sublimation transfer paper is fed into the rotary press.
- Textile pieces are placed on the transfer paper face down
- Tissue paper is protecting the belt ensuring no dye-sublimation ink is sublimated onto the belt
- Two rewinds are used to take up the used transfer paper and used tissue paper

## Roll Transfer Paper - Bolt of Textile

- Roll of preprinted dye sublimation transfer paper is fed into the rotary press face up
- Bolt of textile is fed into the rotary press face down
- Tissue paper is protecting the belt ensuring no dye-sublimation ink is sublimated onto the belt
- Three rewinds are used to take up the now printed bolt of textile, used transfer paper and used tissue paper





A rotary heat press is primarily used to continuously transfer dye-sublimation prints onto a textile material. There are numerous applications that can be produced with a rotary press. A few of these examples include; bolts of textile for both home and office decor, fashion apparel and sportswear, floor mats/yoga mats and so on. With the signage market you will find trade show textile signage, indoor/outdoor flags and banners. There are endless examples of products being sublimated in various markets and industries each day.

The Practix OK CP-12 is available in 66", 88", 104" and 128" wide printable width. The oil filled heated is 12" in diameter and 240 degrees of wrap achieving faster production speed then most comparable models. This model offers three different options for continuous dye sublimation production.

- Sheet of pre-printed transfer paper with pre-cut textile pieces
- Roll of pre-printed transfer paper with pre-cut textile pieces
- Roll of pre-printed transfer paper with bolt of textile

## FEATURES . . .

- Touch screen interface of all mechanical functions provides intuitive user control and savable settings ensures consistent production
- Program for save settings
- Digital speed controller
- Automatic belt tracking system
- Three unwind and three rewind with pneumatic tension
- Pressure operated paper tension controls
- Three inch chucks for all unwind and rewind shafts
- Reversing capability
- Safety systems (emergency stops and hand protection at entry)
- Automatic cool down and start up controls

## . . . Upgrade Options

- Mesh Output Conveyor
- Paper Separating
- Powered Unwind Stretchy
- Fabrics Surface Rewind
- 70" Extended Production Table
- Personalized/Custom Paint

## SPECIFICATIONS . . .

	66"	88"	104"	128"
Belt Width	66"	88"	104"	128"
Drum Diameter	12"	12"	12"	12"
Electrical	19kW 78A 240V 1P	25kW 76A 240V 3P	31kW 90A 240V 3P	37kW 120A 240V 3P
Electrical Upgrade	3P \$750			
Weight	3200 lb	3400 lb	3600 lb	3900 lb
Air Supply	100 PSI (.75CFM)	100 PSI (.75CFM)	100 PSI (.75CFM)	100 PSI (.75CFM)
Dimensions (WxDxH)	102x58x63	124x58x63	159x58x63	164x58x63